

INSTALLATION AND MAINTENANCE



PGH2448-ETB

Portable Garage Heater



SPECIFICATIONS	
Model#	PGH2448-ETB
BTU	16,500
Watts	4,800/3,600
Power (Volts)	240V/208V-60Hz
Amps	20A
Heat Settings 1	LOW
Heat Settings 2	HIGH
Timer Mode	1-9 hours
Plug Type	30A NEMA 6-30R

DANGER

ELECTRIC SHOCK OR FIRE HAZARD

READ ALL WIRE SIZING, VOLTAGE REQUIREMENTS AND SAFETY DATA TO AVOID PROPERTY DAMAGE AND PERSONAL INJURY

PGH2448-ETB is a versatile 240 volt heater that is perfect for any garage, workspace or construction site. Ideal for portable temporary heating or it can be permanently mounted to the wall of ceiling by using the included heavy duty bracket. Designed for durability and safety.

⚠️ WARNING ⚠️

READ CAREFULLY - Use the heater only as described in this manual. Any other use is not recommended and could result in fire, electric shock, and personal injury. Following these instructions will prevent difficulties that might occur during the installation and use of the heater. Please study the instructions first, as they may save considerable time and trouble during use addition to providing important safety information. Make sure to save these instructions for future use.

NEVER LEAVE HEATER UNATTENDED WHILE CONNECTED TO A POWER SOURCE

- ⚠️ WARNING** FIRE OR EXPLOSION MAY OCCUR! During normal operation the heater has hot components and arching or sparking parts inside. Do not use it in areas where gasoline, paint or other flammable liquids are used or stored.
- ⚠️ WARNING** RISK OF FIRE. To prevent a possible fire, do not block the intakes or exhaust in any manner. Do not use on soft surfaces, like a bed where openings may become blocked. Keep clear of all obstructions. Maintain a 3 foot minimum clearance from front & 12 inches from sides and rear. Heaters must be kept clean of lint, dirt, & debris.
- ⚠️ WARNING** RISK OF FIRE. DO NOT use heater with extension cord. Plug the heater directly into a 208-240VAC receptacle.
- ⚠️ WARNING** OVERHEATING OR FIRE MAY OCCUR. Do not place heater behind a door.
- ⚠️ WARNING** BURN HAZARD. This heater is hot when it is in use. To avoid burns, do not touch the case, grill or interior parts of the heater when in use. Use handles when moving the heater. Allow the heater to cool down before touching it.
- ⚠️ WARNING** RISK OF ELECTRIC SHOCK OR INJURY. Do not run the power cord under carpeting, throw rugs, runners or other similar coverings. Do not route the cord under furniture or appliances. Keep the cord away from a traffic area so it will not cause a tripping hazard. Do not operate the heater with a damaged cord or plug, after the heater malfunctions, or if it has been dropped or damaged in any manner. Discard heater immediately, do not try to repair.
- ⚠️ WARNING** RISK OF ELECTRICAL SHOCK. Connect the heater to a properly grounded outlet only. Do not insert or allow foreign objects to enter the intake or exhaust opening of the heater as this may cause an electric shock or fire and damage the heater. Unplug the heater before performing any maintenance or when not in use. To disconnect heater, turn thermostat control to low, then remove plug from outlet.
- ⚠️ WARNING** NEVER SUSPEND OR HANG ANY OBJECTS FROM A MOUNTED HEATER.
- ⚠️ WARNING** CAUTION— RISK OF ELECTRIC SHOCK. DO NOT OPEN HEATER CASE WHEN PLUGGED INTO AN ELECTRICAL OUTLET.

SAFETY INFORMATION

DANGER

ELECTRIC SHOCK OR FIRE HAZARD

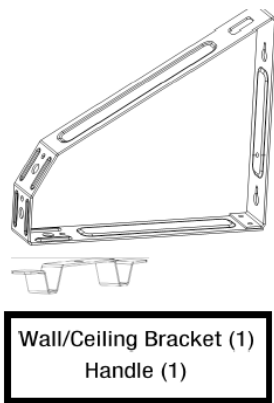
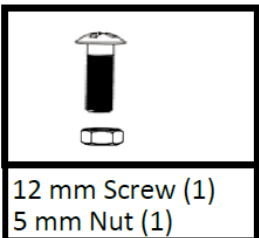
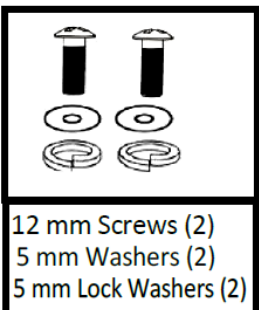
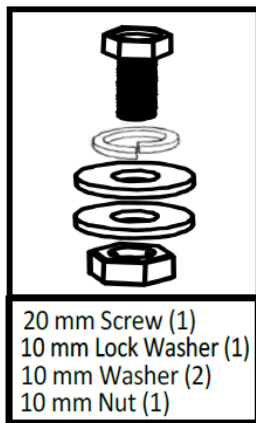
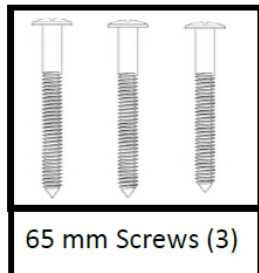
READ ALL WIRE SIZING, VOLTAGE REQUIREMENTS AND SAFETY DATA TO AVOID PROPERTY DAMAGE AND PERSONAL INJURY

Minimum Clearance From Combustibles	
Front	3 ft.
Top	1 ft.
Sides	1 ft.
Rear	1 ft.

Warning: Prior to operating, make sure the electrical outlet is of the configuration and capacity appropriate for the heater.

- Use extreme caution when heater is used near children or people with disabilities.
 - Do not use outdoors.
 - Not intended for use in bathrooms, laundry areas or other similar wet locations. Never locate heater where it may have contact with water.
 - Do not use heater in wet or moist locations.
 - Always locate heater on a stable and level surface.
 - Do not place the heater against cardboard or low-density fiberboard surfaces.
- Avoid using an extension cord because the extension cord may overheat and cause a risk of fire.
 - Use only the electrical power (voltage and frequency) specified on the model plate of the heater.
 - Use only three-prong, grounded outlet.
 - ALWAYS unplug the heater when not in use.
 - Keep all combustible materials away from this heater

WHAT'S IN THE BOX



HEATER DIAGRAM

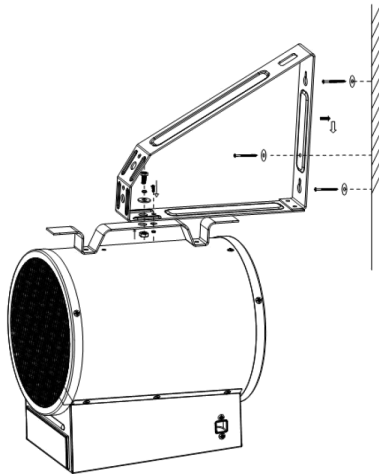


ASSEMBLY INSTRUCTIONS

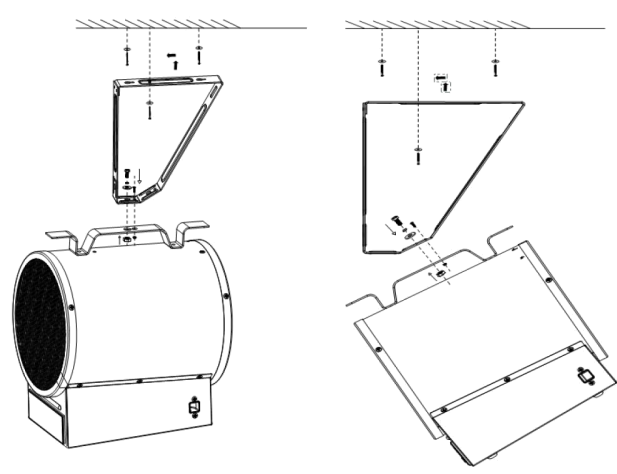


PGH2448-ETB Portable Garage Heater

INSTALLATION INSTRUCTIONS



FOR WALL MOUNT APPLICATIONS



FOR CEILING MOUNT APPLICATIONS

TOOLS NEEDED:

- Power Drill
- 4 mm or 5/32 in. drill bit
- Phillips head screwdriver
- Stud finder

Remove heater & all packaging materials from the box.

i *Tip: Be sure to remove the hardware package from the Styrofoam packaging.*

FOR WALL OR CEILING MOUNT APPLICATIONS

Attaching Heater to Wall Bracket

1. Line up hole on bracket with hole on the heater handle.
2. Attach heater to bracket with 20mm screw and nut, larger 10 mm washer and locking washer.

! WARNING Be certain adjustment knobs are tightened firmly to secure heater to swivel bracket.

Wall or Ceiling Mounting

1. Locate wood stud in wall or joist in ceiling to mount heater.
2. Use holes in bracket to mark 3 holes for drilling. Be sure a minimum holes are drilled into the wood stud in wall or joist in ceiling.
3. Pre-drill 3 holes for screws.
4. Secure two 65 mm screws to wall leaving 1/8" exposed. Two (3) screws must be attached to a wood stud (min 1.5").
5. Attached bracket to wall by inserting screws through keyholes on bracket and pushing down to lock in place.
6. Tighten screws against bracket to secure. Screw third screw to secure bracket in place.

! WARNING HEATER MUST BE ATTACHED TO A JOIST WITH A MINIMUM OF TWO (3) SCREWS IN OPPOSING HOLES.

! WARNING Use appropriate fasteners. The screws included are for installing in wood studs only and not intended for metal joists.

OPERATION

DANGER

ELECTRIC SHOCK OR FIRE HAZARD

READ ALL WIRE SIZING, VOLTAGE REQUIREMENTS AND SAFETY DATA TO AVOID PROPERTY DAMAGE AND PERSONAL INJURY



SPECIFICATIONS	
Model#	PGH2448-ETB
BTU	16,500
Watts	4,800/3,600
Power (Volts)	240V/208V-60Hz
Amps	20A
Heat Settings 1	LOW
Heat Settings 2	HIGH
Timer Mode	1-9 hours
Plug Type	30A NEMA 6-30R

OPERATION

i If SAFETY LIMIT light illuminates, an abnormal condition has turned off the heating elements. TO RESET, WAIT 10 MINUTES to allow the heater to cool down, the heater will automatically reset once heating element cools down.

Operating Instructions

1. Position the fan heater so that it stands upright on a firm, level surface (When used as a portable) and at a safe distance from wet locations and flammable objects.
2. Connect the fan heater to the proper electrical power. See grounding instructions (Figure 1)
3. Plug in the power cord to a 30 Amp receptacle, the power indicator light will come on.
4. Push the power button, the heater will come on and heat to the default setting of 65°F.
5. If the room temperature is higher than 65°F, the display window will show 65°F, blink 5 times and then shut down.

For HIGH/LOW Selection

- During operation, press the MODE button once, then press the Up arrow button or DOWN arrow button to select LOW or HIGH power. The indicator light will be on accordingly.

ECO Mode Feature

- To save energy, the heater will automatically switch to run on LOW power when the room temperature is within 2 degrees of the set temperature.

For Room Temperature Selection

- During operation, press the MODE button twice, then push UP or DOWN arrow buttons to set the temperature from 45°F-99°F, Hold down the UP or DOWN arrow to speed up the setup process. The LCD will go back to display room temperature after 5 seconds.

For Timer Mode Selection

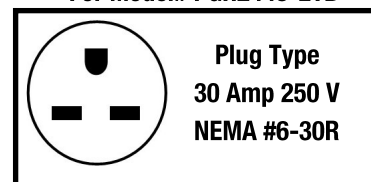
- During operation, press the mode button 3 times, the display window will show the timer mode setup. Push the UP or DOWN arrows to set the timer from 1 hour—9 hours.

Grounding Instructions

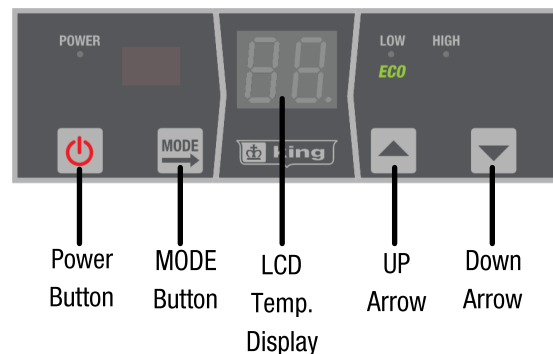
- This heater is for use on 240 (or 208) volt circuits. The cord has a plug as shown in figure 2 (below). No adapter is available for this blade configuration, and none should be used. The type outlet is a 240 (or 208) volt 30 Amp grounded outlet. When properly installed, it provides a ground connection through the cord to the heater to protect the operator from electric shock.
- Be sure that the electrical receptacle is of configuration and capacity appropriate for the heater.

Figure 1

For Model# PGH2448-ETB



Control Panel



TROUBLESHOOTING



PGH2448-ETB

Portable Garage Heater



SPECIFICATIONS

Model#	PGH2448-ETB
BTU	16,500
Watts	4,800/3,600
Power (Volts)	240V/208V-60Hz
Amps	20A
Heat Settings 1	LOW
Heat Settings 2	HIGH
Timer Mode	1-9 hours
Plug Type	30A NEMA 6-30R

DANGER

ELECTRIC SHOCK OR FIRE HAZARD

READ ALL WIRE SIZING, VOLTAGE REQUIREMENTS AND SAFETY DATA TO
AVOID PROPERTY DAMAGE AND PERSONAL INJURY

MAINTANANCE

Cleaning and Maintenance

- Before cleaning the appliance, disconnect it from the power outlet and let it cool down.
- In order to protect the enclosure, don't splash water onto the heater, and never use a solvent like gasoline, isoamyl acetate, toluene, etc. to clean the heater
- The enclosure is easy to get dirty. Wipe it often with a soft sponge. For very dirty parts, wipe with a sponge dipped in < 122°F water and mild detergent, then dry the heater enclosure with a clean cloth. Be careful not to let the water enter the inside of the appliance.

TROUBLESHOOTING GUIDE

Problem	Cause	Solution
Fan stays on when heat shuts off.	1. Fan delay cycles On/Off until elements are cool.	1. Heater is operating correctly.
Heating element does not glow red.	1. Heating element is made of stainless steel and will not glow red to produce heat.	1. Heater is operating correctly.
Do not feel heat or air flow.	1. No power to heater. 2. Desired room temperature reached. 3. Heater does not heat area in front of heater, it will disperse heat throughout room to heat entire space.	1. Check power connections / connect heater to power supply. 2. Thermostat will shut off once desired room temperature is reached. Heater is operating correctly. 3. Heater is operating correctly.