

# INSTALLATION INSTRUCTIONS



Smart Heating Solutions

SMART LIMIT PROTECTION®

## SL SERIES

Wall Heaters

Models: 1215 (120V) 2422 (240V) 2022 (208V)



DANGER

ELECTRIC SHOCK OR FIRE HAZARD

READ ALL WIRE SIZING, VOLTAGE REQUIREMENTS AND SAFETY DATA TO AVOID PROPERTY DAMAGE AND PERSONAL INJURY

DO NOT INSTALL  
VERTICALLY

***SL Slimline Series Only***  
zero clearance to floor

## ⚡ WARNING ⚠

It is ***extremely important*** to verify the electrical power supply is the same voltage as the heater being installed. ***240 and 120 Volt heaters are not interchangeable.*** Powering a 208/240/277 Volt unit with 120 Volt supply wires will reduce heater output by approximately 75%. Powering a 120 Volt unit with 208/240/277 Volt supply wires will destroy the heater and voids all guarantees and warranties.

**CAUTION:** Keep electrical cords, drapery, furnishings and other combustibles at least 3 feet (.9m) from front of the heater and away from side and rear. Do not block the heater in any manner. Can be installed w/zero to floor and no closer than 6 inches to the open edge of a door and adjacent wall. Never paint the heater grill.

**Unit can not be installed greater than 2 feet off the floor.**

**WARNINGS:** Turn off the power source supplying the heater before attempting any installation, maintenance or repairs. Lock or tag circuit breaker/fuse panel door. Failure to do so could result in serious electrical shock, burns or possible death.

## MAINTENANCE & WARRANTY

The superior quality and design of this heater will provide years of trouble-free performance. Each year the heater should be checked and cleaned for lint and/or dust accumulation. King recommends using a soft bristle brush and vacuum to knock off contaminants. The motor is permanently lubricated and requires no oiling.

SL Slim Line Wall Heaters carry a five (5) year warranty on the elements and a two (2) year warranty on components from date of installation. This warranty requires that the owner or his agent install the equipment in accordance with the National Electrical Code, any other applicable heating or electrical codes, and the manufacturer's installation instructions. It further requires that reasonable and necessary maintenance be performed on the unit. Failure to properly maintain the unit will result in the warranty being voided. The company is not liable for abuse or misuse of product as may be finally determined by the company. The customer shall be responsible for all costs incurred in the removal or reinstallation of products, including labor costs and shipping costs incurred to return products to King Manufacturing. King Manufacturing will repair or replace, at our option, at no charge to the customer with return freight paid by King. King Manufacturing shall not be liable for consequential damages arising with respect to the product, whether based upon negligence, tort, strict liability or contract. No other written or oral warranty applies, nor any warranties by representatives, dealers, employees of King, or any other person. All returns require a King Return Goods Authorization (RGA); Unauthorized returns will be refused. Do not return malfunctioning/defective products to store.

Operating voltage cannot exceed 5% of rated voltage. Operating heater above listed voltage ratings voids all guarantees and warranties.

# INSTALLATION INSTRUCTIONS

## INSTALLATION

Following are installation guidelines:

- Disconnect power at main panel.
  - Make certain all wiring is in accordance with any/all local codes.
  - Ensure units are properly grounded.
  - Heater voltage rating should be the same as supply load.
1. Remove two screws on front grille. Remove grille. Loosen mounting screw. Remove fan heater assembly.
  2. Remove a 7/8" knockout. Thread supply wire into wallbox. Use an approved strain relief bushing to prevent chafing of supply wires through the opening in wallbox.
  3. Install wall can a minimum of 6" from vertical sidewalls and zero clearance to floor. **The front edge of wall can must be 1/2" beyond finished wall. Unit can not be installed greater than 2 feet off the floor.**
  4. Secure wallbox to the 2x4 studs using the two (2) holes on each side of wallbox. Secure twist lock to wall stud on opposite side.
  5. Select heater wattage (*see diagram*). King recommends the installer indicate the selected heater wattage by circling the wattage listed on the nameplate. To prevent the heater from being rewired to a higher wattage, cut the push-on 1/4" female terminal off the disconnected wire (orange, blue or yellow). Tape all exposed wires. By disabling the heater in this manner there is no need to size the circuit beyond the actual connected load. (For future flexibility to increase wattage, size circuit for the maximum 2250 Watts per heater for 208/240 Volt , 1500 Watts per heater for 120 Volt).
  6. Reinstall heater assembly at top of wallbox with mounting screw. Connect supply and ground wires. (*see diagram*)
  7. Reinstall grille securely with screws provided. *For proper air circulation, the top louver in grille must open into and between wall can and top of heater.*

### FIELD WIRING – 120/277 VOLT:

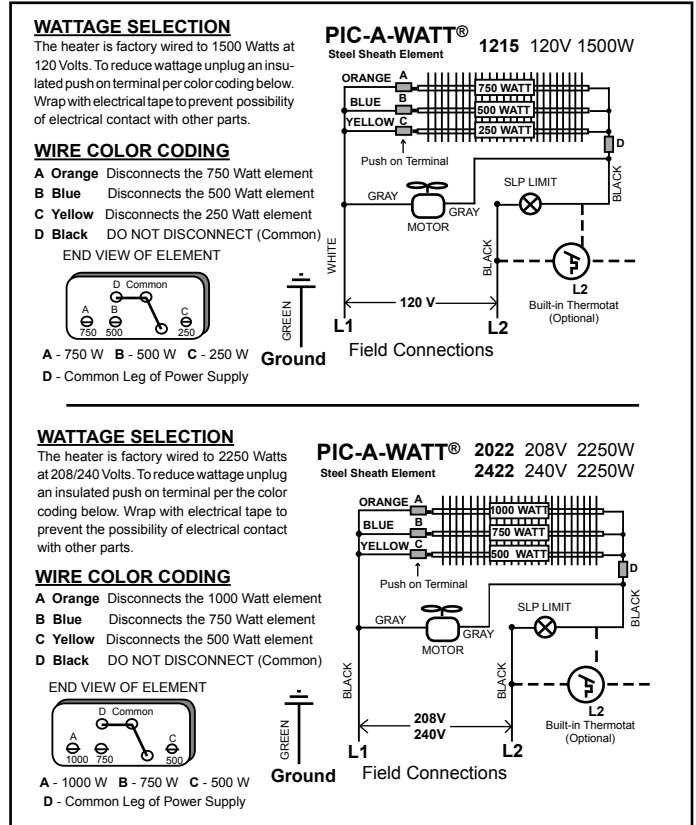
1. Connect power supply L1 (white neutral wire) to white heater wire.
2. Connect power supply L2 (black hot lead) to black heater wire.
3. Connect groundwire to green wire on wall can.

### FIELD WIRING – 208/240 VOLT:

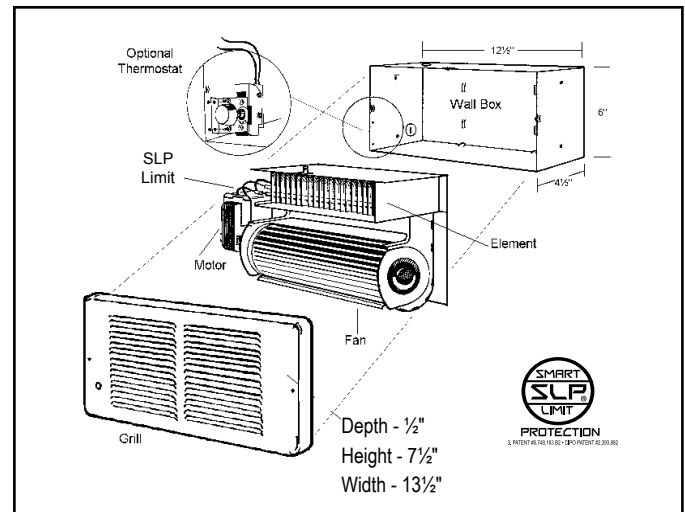
1. Connect power supply L1 (hot lead) to a black heater wire.
2. Connect power supply L2 (hot lead) to a black heater wire.
3. Connect groundwire to green wire on wall can.

**NOTE:** The two black leads on the heater can be connected to either hot lead. There is no polarity. The 208/240 Volt heater does not require a neutral wire from the power panel.

## WIRING DIAGRAM



## EXPLODED VIEW



This heater includes a manual reset SLP thermal protector with a self-hold feature. If the heater shuts off in the on position and the room temperature is below the highest thermostat setting, immediately disconnect the power to the heater at the circuit breaker. Inspect for any objects on or adjacent to the heater that may cause high temperatures. After inspecting the heater, keep the power to the heater off for 10 minutes to reset the SLP thermal protector. If the SLP thermal protector shuts the heater off again, immediately turn the heater off at the circuit breaker and inspect the heater for possible fan motor failure or dirt and lint on the heating element. Repeat the starting procedure.